

TIBCON has more than 38 years of experience in manufacturing capacitors for Fan applications. TIBCON Fan Capacitors are widely known for their reliability and consistent performance. They are the first choice of the best fan manufacturers in India and abroad

Over the years, TIBCON has continuously engineered and improved the capacitors to make them 100% reliable and long lasting. TIBCON capacitors ensure that the fan speed is maintained consistent through out its life, thereby earning customer confidence through customer satisfaction. Our state of the art manufacturing line and stringent quality control systems ensure 100% reliability. We offer a wide range of Fan Capacitors including Dry Type, Oil Filled and Box Type Capacitors.

All of the above are designed to have a minimum capacitance droppage and minimum failure rate. As a result, our capacitors are a part of the best brands of fans sold in India.

**TIBCON ADVANTAGE**

**Characteristic Features**

- Made with special technology metalized film that extends the life of the capacitors.
- Can operate with the same efficiency over a wide range of temperatures and humidity.
- Manufacturing process of the capacitor is tailor made to suit the requirements of the fans.
- Low internal power losses conserve energy
- Non PCB Encapsulation
- ECO Friendly
- High Insulation Resistance.

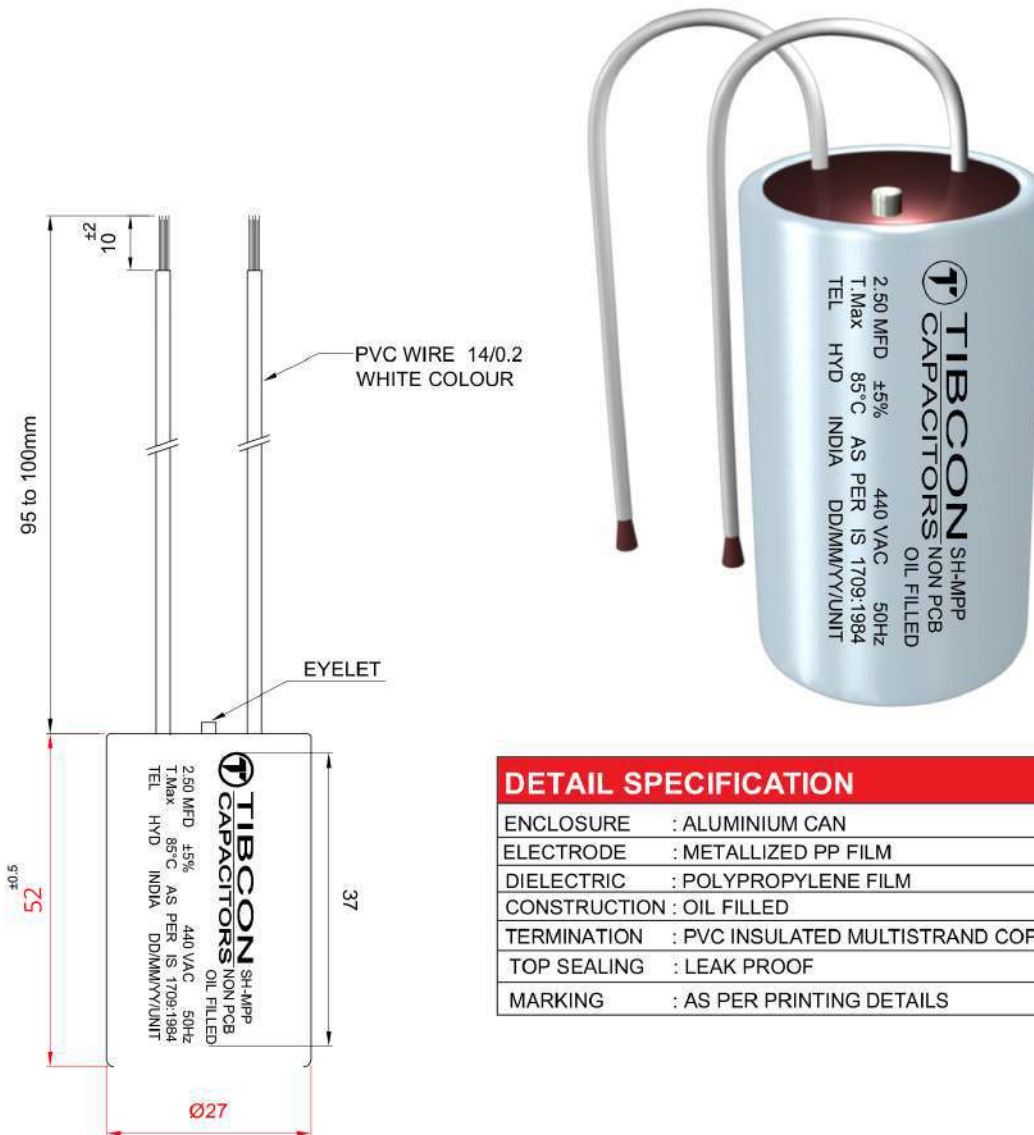


**Tibrewala Electronics Limited**

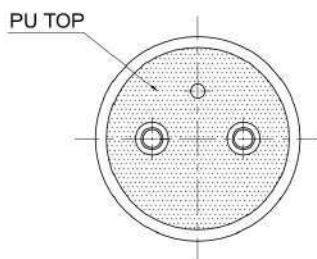
Tibrewala Electronics Limited, Hyderabad, is one of India's leading Capacitor manufacturer with ISO 9001-2015 certification. We are equipped with the latest and world class state-of-the-art manufacturing plant.

Manufactured by :  
 TIBREWALA ELECTRONICS LTD.  
 6-56/2/40, Bombay Highway, Balanagar, Hyderabad-500 037, AP, INDIA.  
 Tel : +91 40 23775351, Fax : +91 40 23775360, Email : info@tibcon.net  
 Visit us at : www.tibcon.net

© Reproduction, publication and dissemination of this technical literature and the contents therein without TIBREWALA ELECTRONICS LTD. prior written permission is strictly prohibited



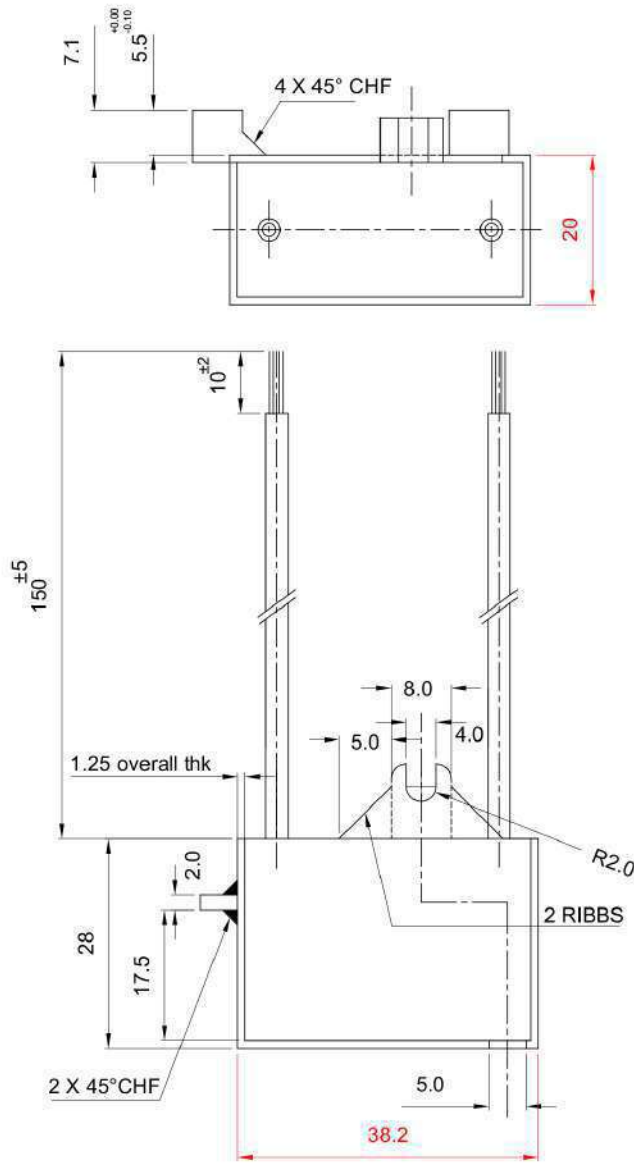
| DETAIL SPECIFICATION |   |
|----------------------|---|
| ENCLOSURE            | : ALUMINIUM CAN                         |
| ELECTRODE            | : METALLIZED PP FILM                    |
| DIELECTRIC           | : POLYPROPYLENE FILM                    |
| CONSTRUCTION         | : OIL FILLED                            |
| TERMINATION          | : PVC INSULATED MULTISTRAND COPPER WIRE |
| TOP SEALING          | : LEAK PROOF                            |
| MARKING              | : AS PER PRINTING DETAILS               |



| TIBCON BRAND |         |                  |
|--------------|---------|------------------|
| S.No.        | (*) MFD | Can Size (ØDxHt) |
| 1            | 2.25    | 27 x 52          |
| 2            | 2.50    | 27 x 52          |
| 3            | 3.15    | 27 x 52          |
| 4            | 3.50    | 27 x 52          |
| 5            | 4.00    | 27 x 52          |

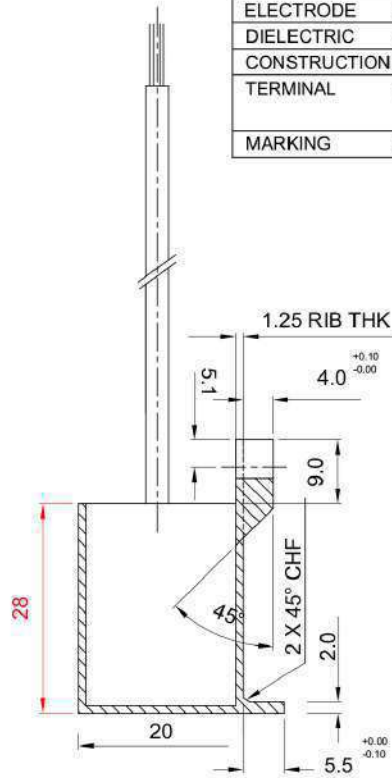
Manufactured by :  
TIBREWALA ELECTRONICS LTD.  
6-56/2/40, Bombay Highway, Balanagar, Hyderabad-500 037, AP, INDIA.  
Tel : +91 40 23775351, Fax : +91 40 23775360, Email : info@tibcon.net  
Visit us at : www.tibcon.net

© Reproduction, publication and dissemination of this technical literature and the contents therein without TIBREWALA ELECTRONICS LTD. prior written permission is strictly prohibited



**DETAIL SPECIFICATION**

|              |   |
|--------------|---|
| ENCLOSURE    | : P.P Box                               |
| ELECTRODE    | : METALLIZED PP FILM                    |
| DIELECTRIC   | : POLYPROPYLENE FILM                    |
| CONSTRUCTION | : DRY TYPE                              |
| TERMINAL     | : PVC INSULATED MULTISTRAND COPPER WIRE |
| MARKING      | : AS PER PRINTING DETAILS               |

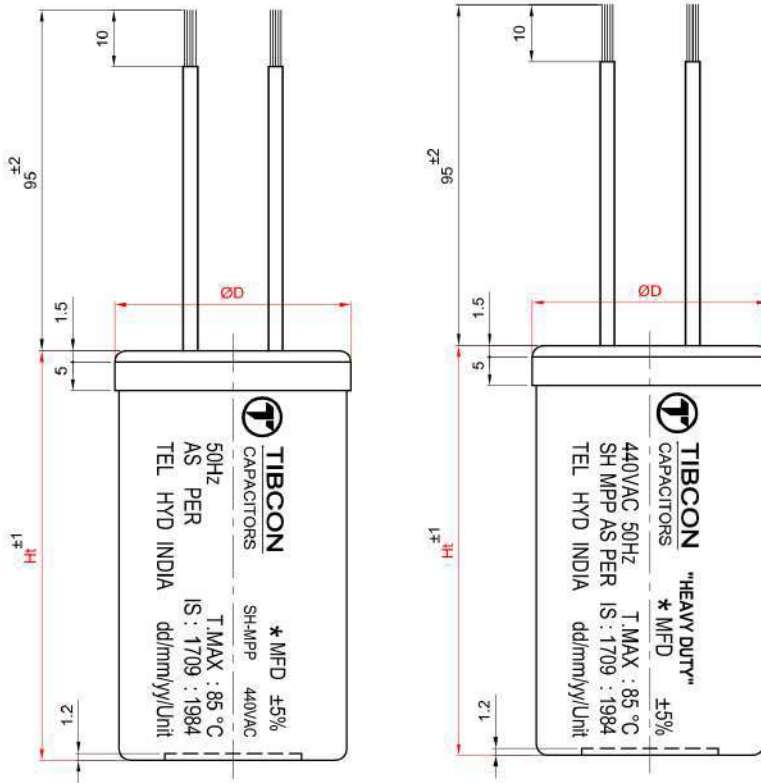


| TIBCON BRAND |         |                  |
|--------------|---------|------------------|
| S.No.        | (*) MFD | Can Size (LxBxH) |
| 1            | 1.50    | 37 x 13.5 x 24   |
| 2            | 2.00    | 37 x 13.5 x 24   |
| 3            | 2.25    | 37 x 17 x 28     |
| 4            | 2.50    | 37 x 17 x 28     |
| 5            | 3.15    | 37 x 17 x 28     |



Manufactured by :  
TIBREWALA ELECTRONICS LTD.  
6-56/2/40, Bombay Highway, Balanagar, Hyderabad-500 037, AP, INDIA.  
Tel : +91 40 23775351, Fax : +91 40 23775360, Email : info@tibcon.net  
Visit us at : www.tibcon.net

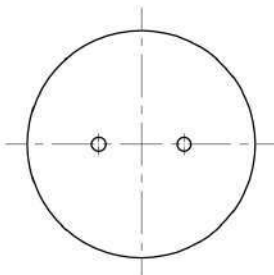
© Reproduction, publication and dissemination of this technical literature and the contents therein without TIBREWALA ELECTRONICS LTD. prior written permission is strictly prohibited



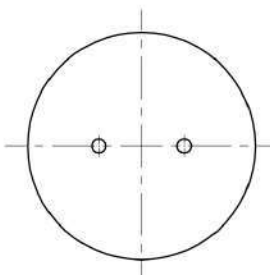
| TIBCON BRAND |         |                  |
|--------------|---------|------------------|
| S.No.        | (*) MFD | Can Size (ØDxHt) |
| 1            | 2.00    | 28 x 52          |
| 2            | 2.25    | 28 x 52          |
| 3            | 2.50    | 28 x 52          |
| 4            | 3.15    | 28 x 52          |
| 5            | 3.50    | 28 x 52          |
| 6            | 4.00    | 30 x 55          |

| HEAVY DUTY |         |                 |
|------------|---------|-----------------|
| S.No.      | (*) MFD | Can Size (ØDxH) |
| 1          | 2.00    | 28 x 52         |
| 2          | 2.25    | 28 x 52         |
| 3          | 2.50    | 28 x 52         |

| DETAIL SPECIFICATION |   |
|----------------------|---|
| ENCLOSURE            | : POLYPROPYLENE CAN                     |
| METALLIZATION        | : METALIZED PP FILM                     |
| DIELECTRIC           | : POLYPROPYLENE FILM                    |
| CONSTRUCTION         | : DRY TYPE                              |
| TERMINAL             | : PVC INSULATED MULTISTRAND COPPER WIRE |
| MARKING              | : AS PER PRINTING DETAILS               |



TIBCON

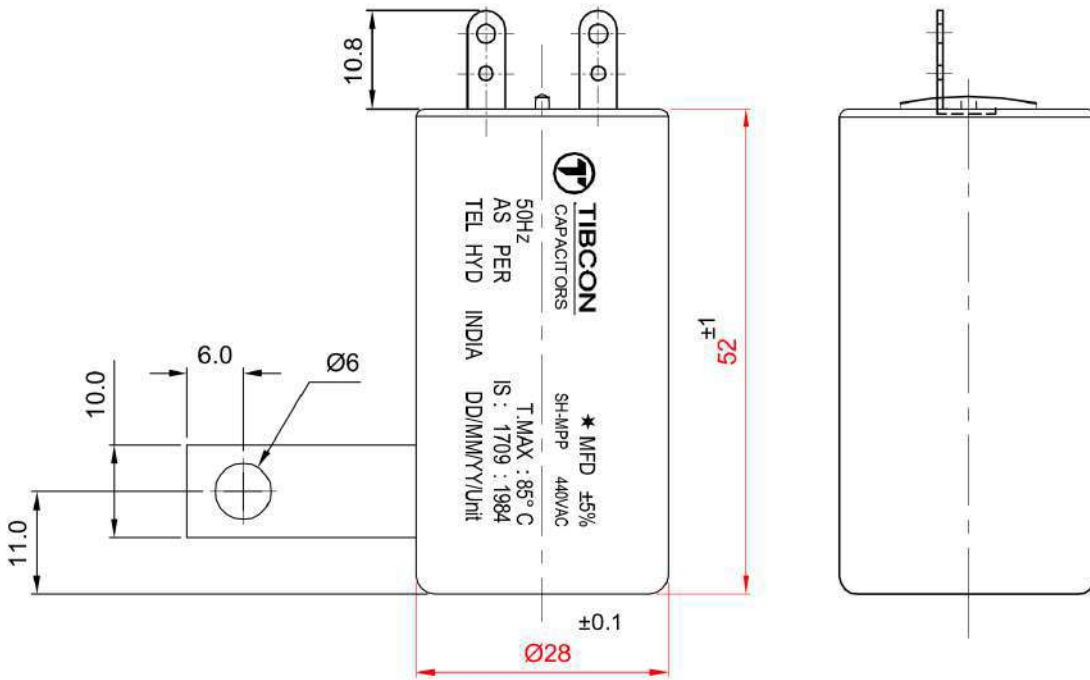


HEAVY DUTY



Manufactured by :  
 TIBREWALA ELECTRONICS LTD.  
 6-56/2/40, Bombay Highway, Balanagar, Hyderabad-500 037, AP, INDIA.  
 Tel : +91 40 23775351, Fax : +91 40 23775360, Email : info@tibcon.net  
 Visit us at : www.tibcon.net

© Reproduction, publication and dissemination of this technical literature and the contents therein without TIBREWALA ELECTRONICS LTD. prior written permission is strictly prohibited



**CAPACITOR WITH BUILT-IN CLAMP READY TO FIX**

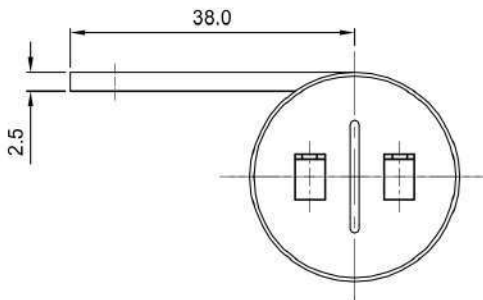


**DETAIL SPECIFICATION**

|              |   |
|--------------|---|
| ENCLOSURE    | : POLYPROPYLENE CAN                     |
| ELECTRODE    | : METALLIZED PP FILM                    |
| DIELECTRIC   | : POLYPROPYLENE FILM                    |
| CONSTRUCTION | : DRY TYPE                              |
| TERMINATION  | : PVC INSULATED MULTISTRAND COPPER WIRE |
| MARKING      | : AS PER PRINTING DETAILS               |

**TIBCON BRAND**

| S.No. | (*)MFD | Can Size (ØDxHt) |
|-------|--------|------------------|
| 1     | 2.25   | 28 x 52          |
| 2     | 2.50   | 28 x 52          |



Manufactured by :  
 TIBREWALA ELECTRONICS LTD.  
 6-56/2/40, Bombay Highway, Balanagar, Hyderabad-500 037, AP, INDIA.  
 Tel : +91 40 23775351, Fax : +91 40 23775360, Email : info@tibcon.net  
 Visit us at : www.tibcon.net

© Reproduction, publication and dissemination of this technical literature and the contents therein without TIBREWALA ELECTRONICS LTD. prior written permission is strictly prohibited



| AC FAN CAPACITORS DRY/OIL ALUMINIUM CAN/PLASTIC CAN |           |                |           |                   |           |         |           | APPROVALS: As Per IS : 1709 : 84        |           |                       |           |                   |
|---|-----------|----------------|-----------|-------------------|-----------|---------|-----------|---|-----------|-----------------------|-----------|-------------------|
| Capacitance (µF)                                    | PART CODE | DIMENSIONS     | PART CODE | CONSTRUCTION      | PART CODE | VOLTAGE | PART CODE | CASE                                    | PART CODE | TERMINATION           | PART CODE | ORDERING CODE     |
|   | A         | (mm)           | B         | DRY = 0 / OIL = 1 | C         | 440 = 0 | D         | ALC = 0 / PPC = 1<br>PPB = 2 / PPCL = 3 | E         | WIRE = 0 /<br>PIN = 1 | F         | FA.A.B.C.D.E.F    |
| 2.00  | 2-00      | 27 X 52        | 1         | OIL               | 1         | 440     | 1         | ALC                                     | 0         | WIRE                  | 0         | FA.2-00.1.1.1.0.0 |
| 2.25  | 2-25      | 27 X 52        | 1         | OIL               | 1         | 440     | 1         | ALC                                     | 0         | WIRE                  | 0         | FA.2-25.1.1.1.0.0 |
| 2.50  | 2-50      | 27 X 52        | 1         | OIL               | 1         | 440     | 1         | ALC                                     | 0         | WIRE                  | 0         | FA.2-50.1.1.1.0.0 |
| 2.00  | 2-00      | 27 X 52        | 2         | OIL               | 1         | 440     | 1         | ALC                                     | 0         | WIRE                  | 0         | FA.2-00.2.1.1.0.0 |
| 2.25  | 2-25      | 27 X 52        | 2         | OIL               | 1         | 440     | 1         | ALC                                     | 0         | WIRE                  | 0         | FA.2-25.2.1.1.0.0 |
| 2.50  | 2-50      | 27 X 52        | 2         | OIL               | 1         | 440     | 1         | ALC                                     | 0         | WIRE                  | 0         | FA.2-50.2.1.1.0.0 |
| 3.00  | 3-00      | 27 X 52        | 2         | OIL               | 1         | 440     | 1         | ALC                                     | 0         | WIRE                  | 0         | FA.3-00.2.1.1.0.0 |
| 3.15  | 3-15      | 27 X 52        | 2         | OIL               | 1         | 440     | 1         | ALC                                     | 0         | WIRE                  | 0         | FA.3-15.2.1.1.0.0 |
| 3.50  | 3-50      | 27 X 52        | 2         | OIL               | 1         | 440     | 1         | ALC                                     | 0         | WIRE                  | 0         | FA.3-50.2.1.1.0.0 |
| 4.00  | 4-00      | 27 X 52        | 2         | OIL               | 1         | 440     | 1         | ALC                                     | 0         | WIRE                  | 0         | FA.4-00.2.1.1.0.0 |
| 4.50  | 4-50      | 27 X 52        | 2         | OIL               | 1         | 440     | 1         | ALC                                     | 0         | WIRE                  | 0         | FA.4-50.2.1.1.0.0 |
| 5.00  | 5-00      | 27 X 52        | 2         | OIL               | 1         | 440     | 1         | ALC                                     | 0         | WIRE                  | 0         | FA.5-00.2.1.1.0.0 |
| 6.00  | 6-00      | 27 X 52        | 2         | OIL               | 1         | 440     | 1         | ALC                                     | 0         | WIRE                  | 0         | FA.6-00.2.1.1.0.0 |
| 1.00  | 1-00      | 28 X 52        | 3         | DRY               | 0         | 440     | 1         | PPC                                     | 1         | WIRE                  | 0         | FA.1-00.3.0.1.1.0 |
| 1.25  | 1-25      | 28 X 52        | 3         | DRY               | 0         | 440     | 1         | PPC                                     | 1         | WIRE                  | 0         | FA.1-25.3.0.1.1.0 |
| 1.50  | 1-50      | 28 X 52        | 3         | DRY               | 0         | 440     | 1         | PPC                                     | 1         | WIRE                  | 0         | FA.1-50.3.0.1.1.0 |
| 1.60  | 1-60      | 28 X 52        | 3         | DRY               | 0         | 440     | 1         | PPC                                     | 1         | WIRE                  | 0         | FA.1-60.3.0.1.1.0 |
| 1.70  | 1-70      | 28 X 52        | 3         | DRY               | 0         | 440     | 1         | PPC                                     | 1         | WIRE                  | 0         | FA.1-70.3.0.1.1.0 |
| 1.85  | 1-85      | 28 X 52        | 3         | DRY               | 0         | 440     | 1         | PPC                                     | 1         | WIRE                  | 0         | FA.1-85.3.0.1.1.0 |
| 2.00  | 2-00      | 28 X 52        | 3         | DRY               | 0         | 440     | 1         | PPC                                     | 1         | WIRE                  | 0         | FA.2-00.3.0.1.1.0 |
| 2.25  | 2-25      | 28 X 52        | 3         | DRY               | 0         | 440     | 1         | PPC                                     | 1         | WIRE                  | 0         | FA.2-25.3.0.1.1.0 |
| 2.50  | 2-50      | 28 X 52        | 3         | DRY               | 0         | 440     | 1         | PPC                                     | 1         | WIRE                  | 0         | FA.2-50.3.0.1.1.0 |
| 2.75  | 2-75      | 28 X 52        | 3         | DRY               | 0         | 440     | 1         | PPC                                     | 1         | WIRE                  | 0         | FA.2-75.3.0.1.1.0 |
| 3.00  | 3-00      | 28 X 52        | 3         | DRY               | 0         | 440     | 1         | PPC                                     | 1         | WIRE                  | 0         | FA.3-00.3.0.1.1.0 |
| 3.15  | 3-15      | 28 X 52        | 3         | DRY               | 0         | 440     | 1         | PPC                                     | 1         | WIRE                  | 0         | FA.3-15.3.0.1.1.0 |
| 4.00  | 4-00      | 30 X 55        | 4         | DRY               | 0         | 440     | 1         | PPC                                     | 1         | WIRE                  | 0         | FA.4-00.4.0.1.1.0 |
| 2.00  | 2-00      | 25 X 42        | 5         | DRY               | 0         | 440     | 1         | PPC                                     | 1         | WIRE                  | 0         | FA.2-00.5.0.1.1.0 |
| 2.25  | 2-25      | 25 X 42        | 5         | DRY               | 0         | 440     | 1         | PPC                                     | 1         | WIRE                  | 0         | FA.2-25.5.0.1.1.0 |
| 2.50  | 2-50      | 25 X 42        | 5         | DRY               | 0         | 440     | 1         | PPC                                     | 1         | WIRE                  | 0         | FA.2-50.5.0.1.1.0 |
| 3.15  | 3-15      | 25 X 42        | 5         | DRY               | 0         | 440     | 1         | PPC                                     | 1         | WIRE                  | 0         | FA.3-15.5.0.1.1.0 |
| 4.00  | 4-00      | 25 X 42        | 5         | DRY               | 0         | 440     | 1         | PPC                                     | 1         | WIRE                  | 0         | FA.4-00.5.0.1.1.0 |
| 5.00  | 5-00      | 25 X 52        | 6         | DRY               | 0         | 440     | 1         | PPC                                     | 1         | WIRE                  | 0         | FA.5-00.6.0.1.1.0 |
| 6.00  | 6-00      | 25 X 52        | 6         | DRY               | 0         | 440     | 1         | PPC                                     | 1         | WIRE                  | 0         | FA.6-00.6.0.1.1.0 |
| 2.25  | 2-25      | 28 X 52        | 7         | DRY               | 0         | 440     | 1         | PPCL                                    | 3         | PIN                   | 1         | FA.2-25.7.0.1.3.1 |
| 2.50  | 2-50      | 28 X 52        | 7         | DRY               | 0         | 440     | 1         | PPCL                                    | 3         | PIN                   | 1         | FA.2-50.7.0.1.3.1 |
| 1.50  | 1-50      | 37 x 13.6 x 24 | 8         | DRY               | 0         | 440     | 1         | PPB                                     | 2         | WIRE                  | 0         | FA.1-50.8.0.1.2.0 |
| 2.00  | 2-00      | 37 x 13.6 x 24 | 8         | DRY               | 0         | 440     | 1         | PPB                                     | 2         | WIRE                  | 0         | FA.2-00.8.0.1.2.0 |
| 2.25  | 2-25      | 37 x 17 x 28   | 8         | DRY               | 0         | 440     | 1         | PPB                                     | 2         | WIRE                  | 0         | FA.2-25.8.0.1.2.0 |
| 2.50  | 2-50      | 37 x 17 x 28   | 8         | DRY               | 0         | 440     | 1         | PPB                                     | 2         | WIRE                  | 0         | FA.2-50.8.0.1.2.0 |
| 3.15  | 3-15      | 37 x 17 x 28   | 8         | DRY               | 0         | 440     | 1         | PPB                                     | 2         | WIRE                  | 0         | FA.3-15.8.0.1.2.0 |

ABBR : ALC = ALUMINIUM CYLINDRICAL CAN / PPC = POLY PROPYLENE CAN / PPB = POLY PROPYLENE BOX / PPCL = POLY PROPYLENE CAN WITH CLAMP