

TIBCON has mastered the Technology of Manufacturing Oil Filled Fan Capacitors and has over 25 years of experience in this product. Oil Capacitors function over prolonged usage periods without losing Capacitance Value. Thus they play a vital role in maintaining the speed of Fans.

Tibcon Oil Capacitors feature a Leak Proof design thus setting us apart from the competition. As a result, our Oil Capacitors are a part of the best brands of fans sold in many countries.

TIBCON ADVANTAGE

- No Capacitance Loss over years of running that ensures high air delivery of Fans.
- Made with special technology metalized film that extends the life of the capacitors.
- Can operate with the same efficiency over a wide range of temperatures and humidity.
- Manufacturing process of the capacitor is tailor made to suit the requirements of the fans.
- Low internal power losses conserve energy
- No Leakage of Oil from the Capacitors

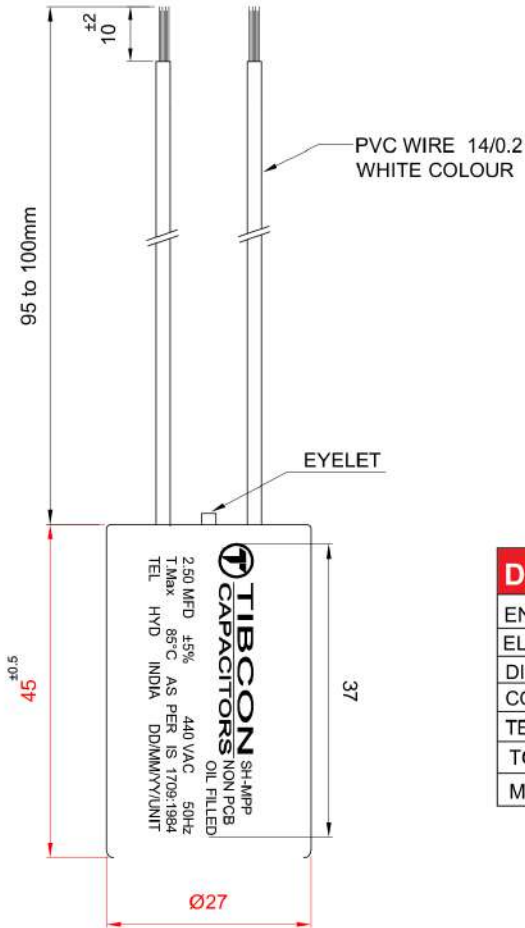


Tibrewala Electronics Limited

Tibrewala Electronics Limited, Hyderabad, is one of India's leading Capacitor manufacturer with ISO 9001-2008 certification. We are equipped with the latest and world class state-of-the-art manufacturing plant.

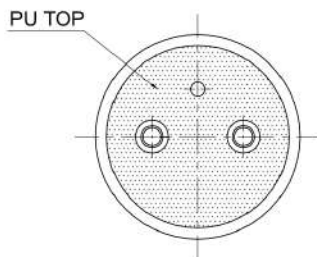
Manufactured by :
TIBREWALA ELECTRONICS LTD.
6-56/2/40, Bombay Highway, Balanagar, Hyderabad-500 037, AP, INDIA.
Tel : +91 40 23775351, Fax : +91 40 23775360, Email : info@tibcon.net
Visit us at : www.tibcon.net

© Reproduction, publication and dissemination of this technical literature and the contents therein without TIBREWALA ELECTRONICS LTD. prior written permission is strictly prohibited



DETAIL SPECIFICATION

ENCLOSURE	: ALUMINIUM CAN
ELECTRODE	: METALLIZED PP FILM
DIELECTRIC	: POLYPROPYLENE FILM
CONSTRUCTION	: OIL FILLED
TERMINATION	: PVC INSULATED MULTISTRAND COPPER WIRE
TOP SEALING	: LEAK PROOF
MARKING	: AS PER PRINTING DETAILS

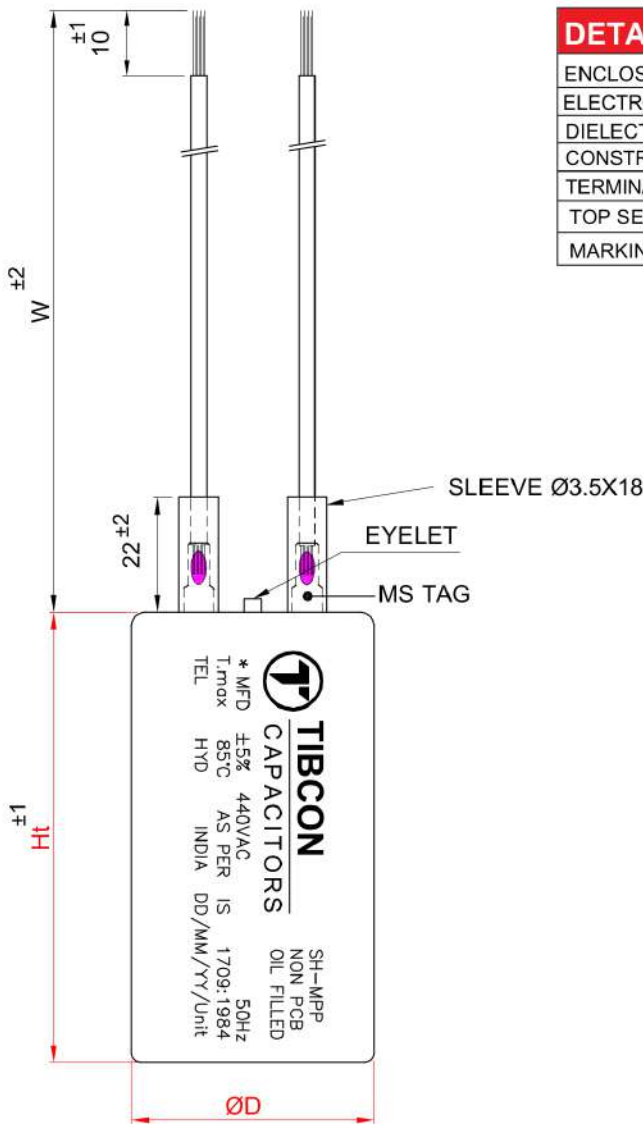


TIBCON BRAND

S.No.	(*) MFD	Can Size (ØDxHt)
1	2.25	27 x 52
2	2.50	27 x 52
3	3.15	27 x 52
4	3.50	27 x 52
5	4.00	27 x 52

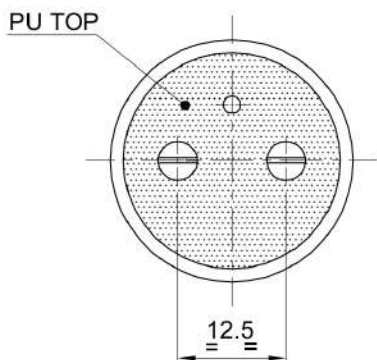
Manufactured by :
 TIBREWALA ELECTRONICS LTD.
 6-56/2/40, Bombay Highway, Balanagar, Hyderabad-500 037, AP, INDIA.
 Tel : +91 40 23775351, Fax : +91 40 23775360, Email : info@tibcon.net
 Visit us at : www.tibcon.net

© Reproduction, publication and dissemination of this technical literature and the contents therein without TIBREWALA ELECTRONICS LTD. prior written permission is strictly prohibited



DETAIL SPECIFICATION

ENCLOSURE	: ALUMINIUM CAN
ELECTRODE	: METALLIZED PP FILM
DIELECTRIC	: POLYPROPYLENE FILM
CONSTRUCTION	: OIL FILLED
TERMINATION	: PVC INSULATED MULTISTRAND COPPER WIRE
TOP SEALING	: LEAK PROOF
MARKING	: AS PER PRINTING DETAILS



TIBCON BRAND		
S.No.	(*) MFD	Can Size (ØDxHt)
1	5.00	35 x 71
2	6.00	35 x 71
3	8.00	35 x 71
4	10.0	35 x 71
5	15.0	35 x 71
6	25.0	35 x 71

Manufactured by :
 TIBREWALA ELECTRONICS LTD.
 6-56/2/40, Bombay Highway, Balanagar, Hyderabad-500 037, AP, INDIA.
 Tel : +91 40 23775351, Fax : +91 40 23775360, Email : info@tibcon.net
 Visit us at : www.tibcon.net

© Reproduction, publication and dissemination of this technical literature and the contents therein without TIBREWALA ELECTRONICS LTD. prior written permission is strictly prohibited

OIL FILLED CAPACITOR					APPROVALS: As Per IS : 1709 : 84			
Capacitance (µF)	PART CODE	DIMENSIONS	PART CODE	VOLTAGE	PART CODE	TERMINATION	PART CODE	ORDERING CODE
	A	(mm)	B	440 = 0	C	WIRE = 0 / PIN = 1	D	OF.A.B.C.D
2.25	2-25	27 X 52	1	440	1	WIRE	0	OF.2-25.1.1.0
2.50	2-50	27 X 52	1	440	1	WIRE	0	OF.2-50.1.1.0
3.15	3-15	27 X 52	2	440	1	WIRE	0	OF.3-15.2.1.0
3.50	3-50	27 X 52	2	440	1	WIRE	0	OF.3-50.2.1.0
4.00	4-00	27 X 52	2	440	1	WIRE	0	OF.4-00.2.1.0
5.00	5-00	27 X 52	2	440	1	PIN	1	OF.5-00.2.1.1
6.00	6-00	27 X 52	2	440	1	PIN	1	OF.6-00.2.1.1
8.00	8-00	27 X 52	2	440	1	PIN	1	OF.8-00.2.1.1
10.00	10-00	30 X 52	3	440	1	PIN	1	OF.10-00.3.1.1
15.00	15-00	35 X 52	4	440	1	PIN	1	OF.15-00.4.1.1
25.00	25-00	35 X 52	4	440	1	PIN	1	OF.25-00.4.1.1



Manufactured by :
TIBREWALA ELECTRONICS LTD.
6-56/2/40, Bombay Highway, Balanagar, Hyderabad-500 037, AP, INDIA.
Tel : +91 40 23775351, Fax : +91 40 23775360, Email : info@tibcon.net
Visit us at : www.tibcon.net

© Reproduction, publication and dissemination of this technical literature and the contents therein without TIBREWALA ELECTRONICS LTD. prior written permission is strictly prohibited